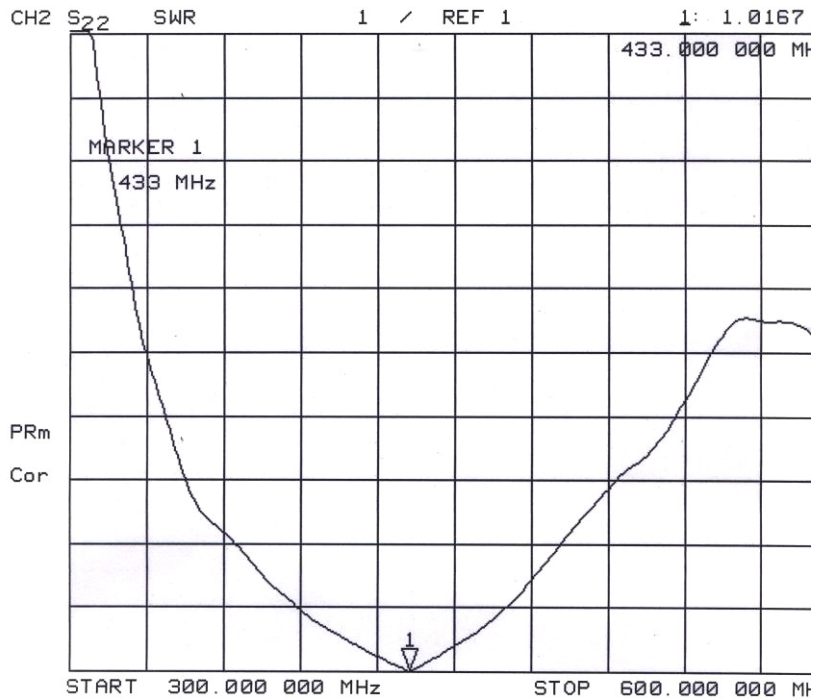
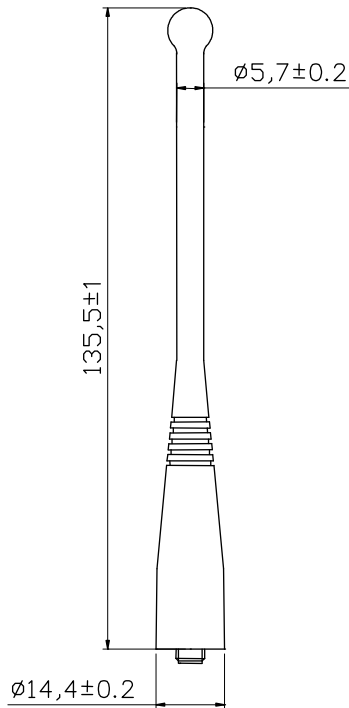


**Model: RFC-X-433-S**



Unit: mm

ELECTRICAL SPECIFICATIONS		MECHANICAL SPECIFICATIONS	
Frequency Range	433 MHz	Height	135.5 mm
Impedance	50 Ohm	Termination	SMA-Female
VSWR	less than 1.5	Radome Material	Polyurethane
Gain	2 dBi	Radome Color	Black
Polarization	Vertical		
Radiation	Omni		
Maximum Power Input-watts	50 W		