

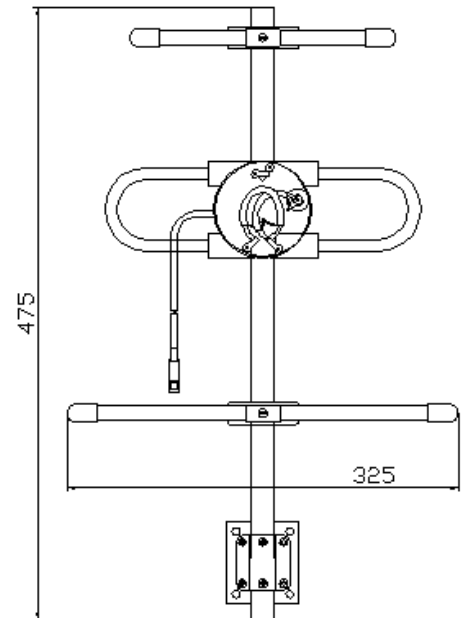
Model: RFC-M-7-433V

ELECTRICAL SPECIFICATIONS

Frequency Range-----	433 MHz
Impedance-----	50 Ohm
VSWR-----	less than 1.5
Gain-----	7 dBi
Horizontal Beam Width-----	82°
Vertical Beam Width-----	65°
Polarization-----	Horizontal or Vertical
Front To Back Ratio-----	>10 dB
Lighting Protection-----	Direct Ground
Connector Type-----	SMA male
Maximum Power Input-watts-----	100 W

MECHANICAL SPECIFICATIONS

Length-----	475 mm
Cable length-----	0.5m RG58C/U
Rated Wind Velocity-----	60 m/s
Mounting hardware-----	Ø30-Ø40 mm



VSWR:

